

120W Constant Voltage-LS Series

LS-120-XX LI



■Approve



■Features

- Class II, SELV, independent
- Input Voltage 220-240VAC
- Protections: SCP/OLP/OTP
- Power Factor ≥ 0.9
- Efficiency $\geq 90\%$
- 5 years warranty

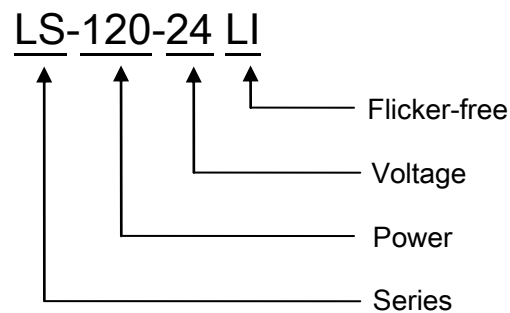
■Applications

- LED strips
- Pendant light

■Description

LS-120-XX LI is a 120W constant voltage LED driver that operates from 198-264Vac input with 12V or 24V output voltage. With its compact dimensions from 254.5 x 44.5x 32mm it is easy to integrate in LED strips and pendant light products. To ensure trouble-free operation, protection is provided against output short circuit and over Load.

■Model code



120W Constant Voltage-LS Series

LS-120-XX LI

■ Specification

Input	Rated input voltage	220-240VAC	
	Range of input voltage	198-264VAC	
	Frequency(Hz)	50/60 Hz	
	Power Factor	≥0.9@220-240VAC, Full load	
	Input Current max	0.74A MAX. @Full Load,198VAC	
	Start-up time	< 0.5S	
	Unload Power Consumption	≤0.5W	
	Inrush Current	70A Max.	65A Max.
	THD	< 20% @220-240VAC, Full load	
	Leakage Current	< 0.5mA(240VAC)	
	Output	Constant Voltage	12±1VDC
Current Range		10A Max.	5A Max.
Rated power		120W Max.	
Voltage Accuracy		±5%	
Voltage Regulation		±1% @Full Load	
Load Regulation		±1%	
Hold-up Time		≥5ms/230VAC @ full load	≥10ms/230VAC @ full load
Ripple & Noise *Note.2		≤120mV@Full Load,240VAC	≤150mV@Full Load,240VAC
Output LF current ripple(<120Hz)		59mV Typ.	50mV Typ.
Efficiency(Typ.)		≥90%	≥87%
Protection	Over Load Protection	105-150% rated output power Protection type: Auto Resume	
	Short circuit Protection	Protection type: Auto Resume	
	Over Temperature protection	Protection type: Auto Resume	
Environment	Operating Temperature	-20°C...+40°C	
	tc	90°C	
	Storage Temperature	-20°C...+60°C	
	Life time	> 30,000h@40°C, full load	
	Temperature coefficient	±0.03%/°C(0-40°C)	
	Humidity	10%-95%RH	
Others	Dimension	254.5X44.5X32(LXWXH)mm	
Safety & EMC	Safety standards	EN 61347-1; EN61347-2-13; EN62493	
	Withstand voltage	Input-Output : 3750V/5mA/1min	
	Isolation resistance	Input-Output : ≥4MΩ@500VDC	
	EMI	EN55015; EN61000-3-2 Class C; EN61000-3-3	
	EMS	EN 61547; EN 61000-4-2; EN 61000-4-5 —1000V;	
Note	1.All parameters NOT specially mentioned are measured at 240VAC input , full load and 25°C of ambient temperature. 2.Ripple & Noise are measured at 20MHz of bandwidth by using a 300mm twisted pair-wire terminated with a 0.1uF & 47 uF parallel capacitor.		

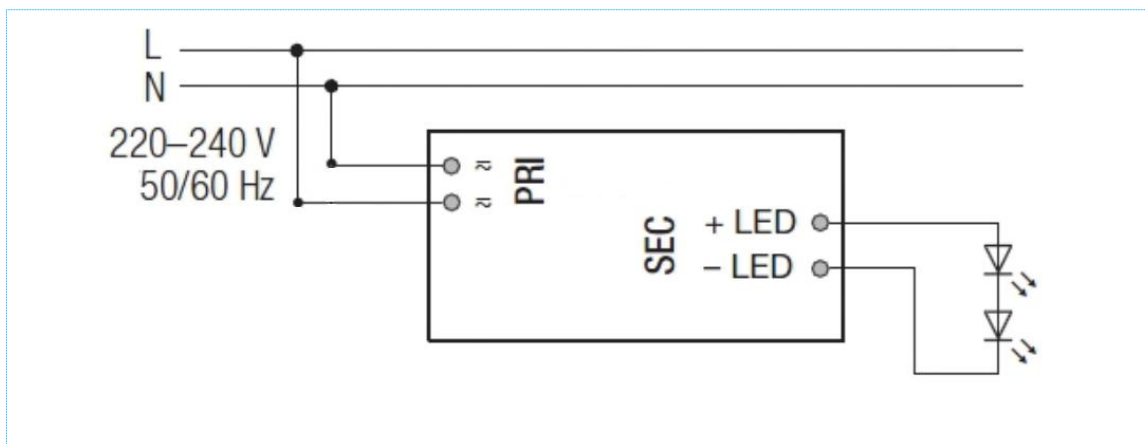
120W Constant Voltage-LS Series

LS-120-XX LI

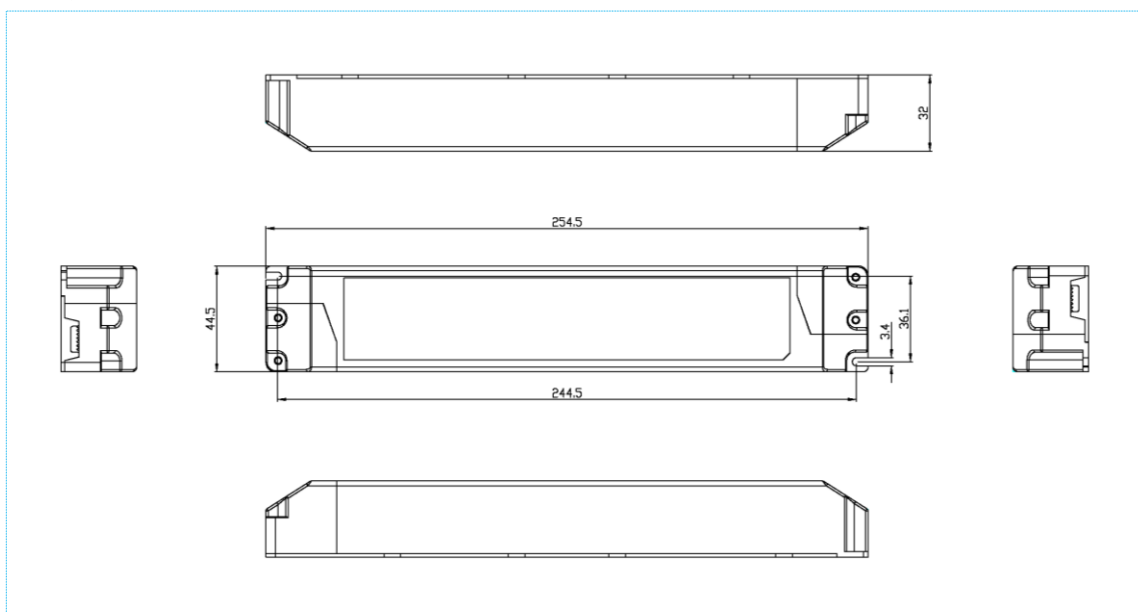
Model list

No.	Model number	Input			Output		
		Voltage (VAC)	Current (A)	Frequency (Hz)	Constant voltage (VDC)	Normal working current (A)	P _{rated} (W)
1	LS-120-12 LI	220-240	0.74	50/60	12	0-10	120
2	LS-120-24 LI	220-240	0.74	50/60	24	0-5	120

Wiring diagram



2D diagram

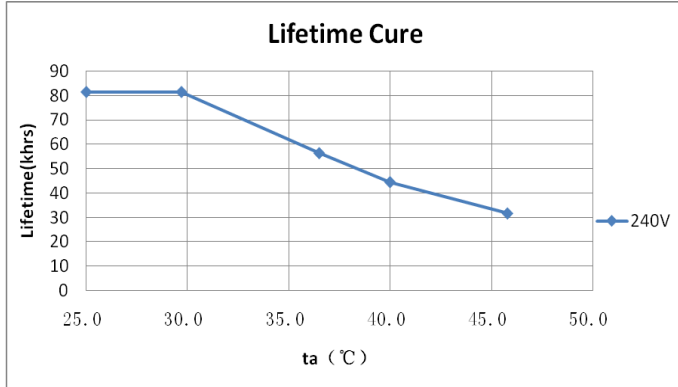


120W Constant Voltage-LS Series

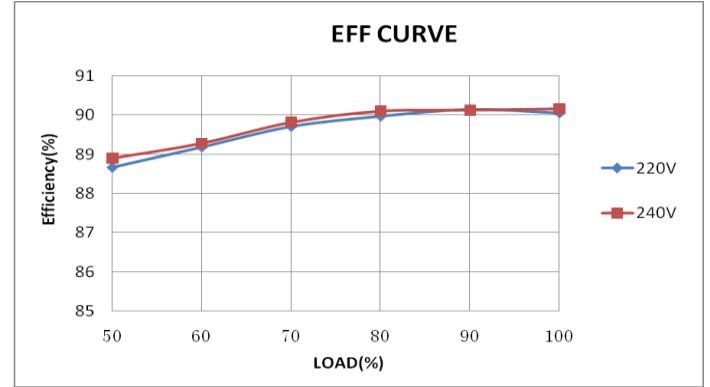
LS-120-XX LI

■ Curve for LS-120-24 LI

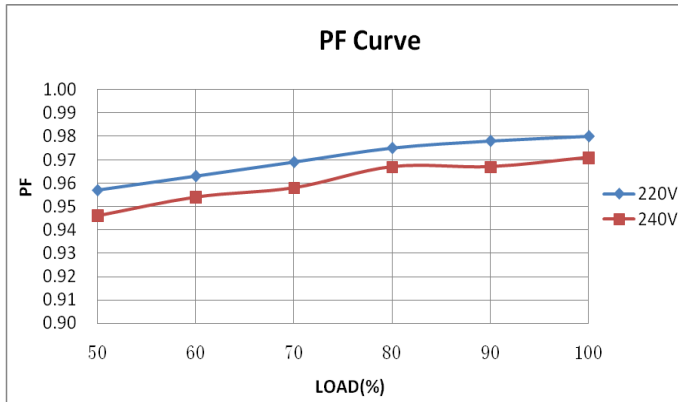
Lifetime vs. Ambient Temperature Curve



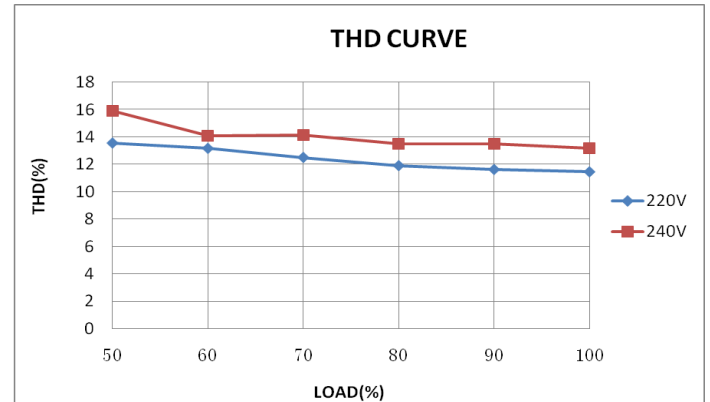
Efficiency vs. Load



Power Factor Characteristics



THD vs. Load



■ Operating window

